

A close-up photograph of a DORMA TS 68 door closer. The device is a long, cylindrical metal component with a white plastic end cap. It is mounted on a door frame, with a metal arm and a vertical rod visible. The background is a plain, light gray.

TS 68

—

Door Closer

THE IDEAL LOW-COST SOLUTION FOR STANDARD DOORS

With the TS 68, DORMA has developed a low-cost door closer which can be universally used on all common door types. It is particularly quick and easy to install — and does not require a mounting

backplate. The closer arm's power shoe and changes in templating allow easy selection of closing force to suit various door sizes.

Certified to ISO 9001

Plus points

For the trade

- Low-cost solution for standard doors.
- Just one model for all mounting positions.

For the user

- Two valves for optimum closing speed and reliable latching action

For the installer

- Non-handed unit.
- Quick and easy to install.
- Fixes perfectly to all door types without the need for a mounting backplate.

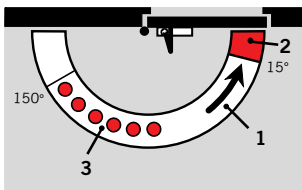
For the specifier/architect

- Compact design.
- Inexpensive, proven reliability.

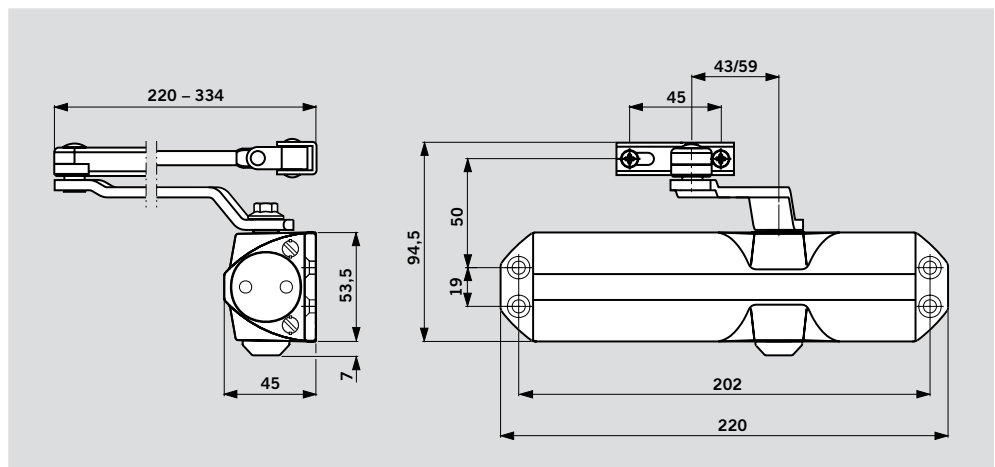
Data and features		TS 68
Selectable closing force (variable via arm power shoe and templating)	Size	EN 2/3/4
Door width	≤ 1100 mm	●
External doors, opening outwards		–
Non-handed		●
Arm	Standard	●
	Slide channel	–
Closing speed adjustable at 2 separate valves	180° – 15°	●
	15° – 0°	
Backcheck		○
Delayed action		–
Hold-open		○
Weight in kg		1.4
Dimensions in mm	Length	220
	Overall depth	45
	Height	53.5
Approved to AS1905 Part 1 Fire Resistant Doors (Backcheck model only)		●

● Yes – No ○ Option

Functions



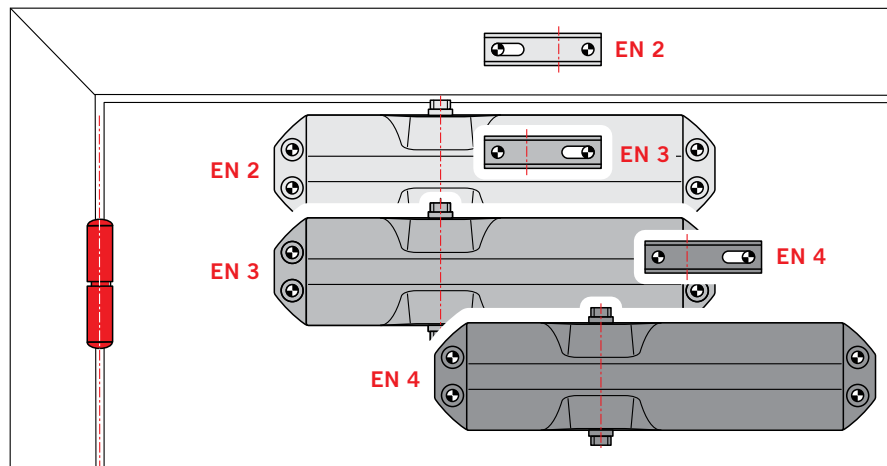
- 1 Adjustable closing speed in the range 180° – 15°.
- 2 Adjustable closing speed in the range 15° – 0°.
- 3 Hold-open range with hold-open arm model (optional extra).



Closing force settings

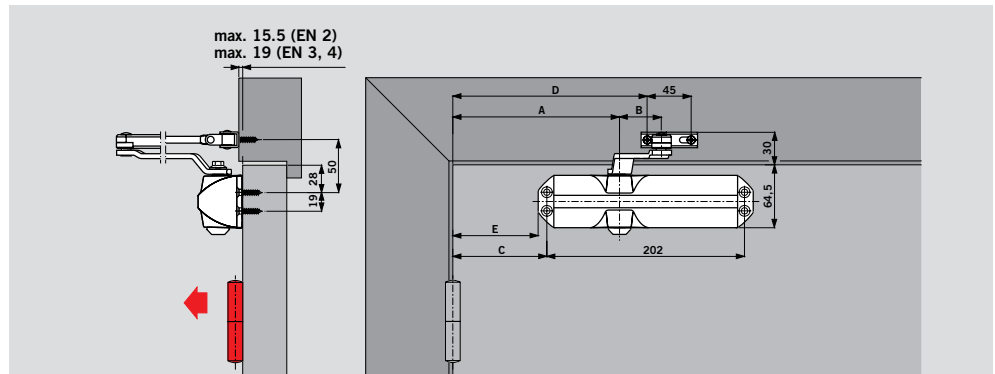
Door width	Size setting
≤ 850	EN 2
≤ 950	EN 3
≤ 1100	EN 4

The TS 68's size setting is selected for the door width by moving the closer body and/or turning the arm power shoe.



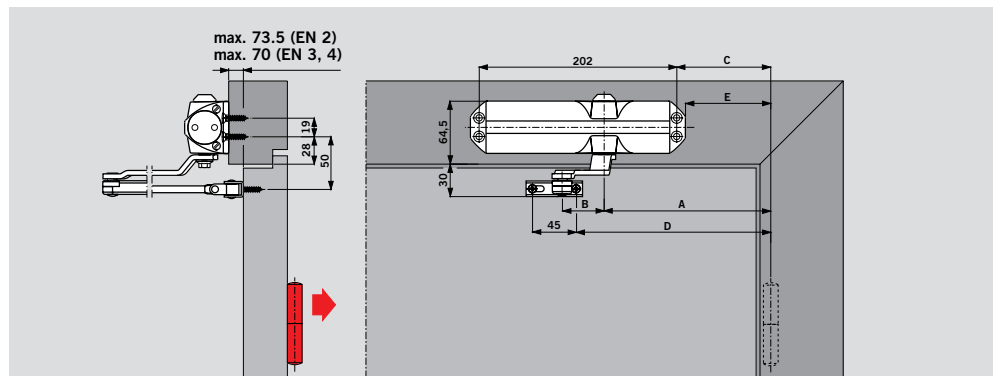
DOOR-LEAF FIXING, PULL SIDE

	EN 2	EN 3	EN 4
A	170	170	250
B	59	43	43
C	96	96	176
D	198.5	198.5	278.5
E	87	87	167

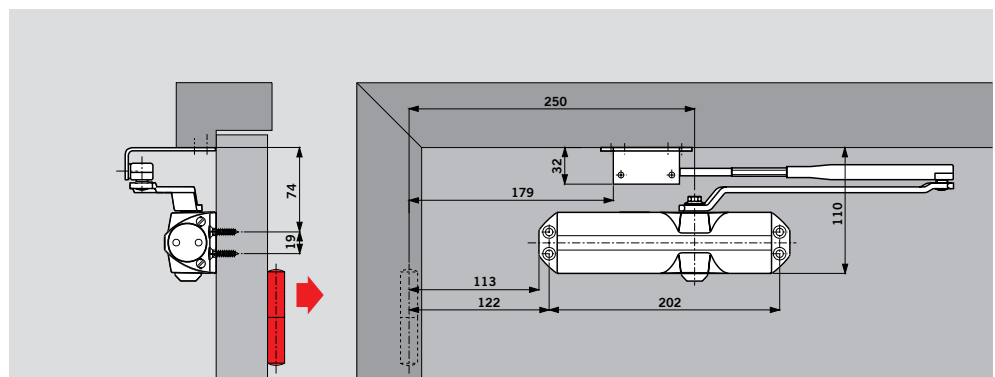


FRAME FIXING, PUSH SIDE

	EN 2	EN 3	EN 4
A	170	170	250
B	59	43	43
C	96	96	176
D	198.5	198.5	278.5
E	87	87	167



PARALLEL ARM FIXING, PUSH SIDE



Standard equipment and accessories

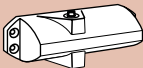


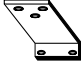
xx	Colour
01	silver
02	brass
03	dark brown
11	white

Order-Number

■ = Closer with arm, complete
= Accessory

Specification text

Rack and pinion door closer with selectable closing force, size EN 2, 3 and 4 and adjustable closing speed in two independent ranges.
Non-handed.

Door closer TS 68	Standard arm	Hold-open arm	Parallel arm bracket
			
Size EN 2/3/4	<input type="checkbox"/> 664105xxBC <input type="checkbox"/> 664005xxNBC	<input type="checkbox"/> 664008xx	660005xx #

Model

- with standard arm
- with hold-open arm

Colour

- silver
- brass
- dark brown
- white (similar to RAL 9016)

Make DORMA TS 68



DORMA Australia P/L
Head Office
Victorian Sales Office
46-52 Abbott Road,
Hallam, Victoria 3803
Telephone (03) 8795 0666
Facsimile (03) 8795 0280
Toll Free Facsimile
1800 333 309

New South Wales &
Australian Capital Territory
Telephone (02) 9645 8350
Facsimile (02) 9645 8355

Queensland
Telephone (07) 3394 6810
Facsimile (07) 3394 2953

New Zealand
Dorma NZ Limited
Building P
61-69 Patiki Road
Avondale
Auckland 1026
Telephone (09) 830 2052
Facsimile (09) 820 4909

South Australia &
Northern Territory
Telephone (08) 8337 4064
Facsimile (08) 8365 8572

Western Australia
Telephone (08) 9228 2322
Facsimile (08) 9228 2422

Newcastle
Telephone (02) 4960 2606
Facsimile (02) 4960 2544

ACT
Telephone (02) 6203 0323
Facsimile (02) 6260 1810

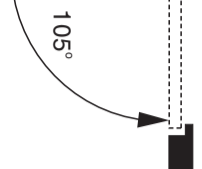
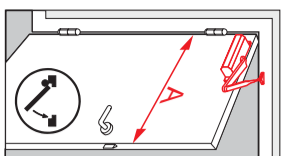
Tasmania
Telephone (03) 6225 4117



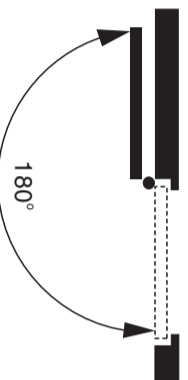
DORMA TS 68 BC



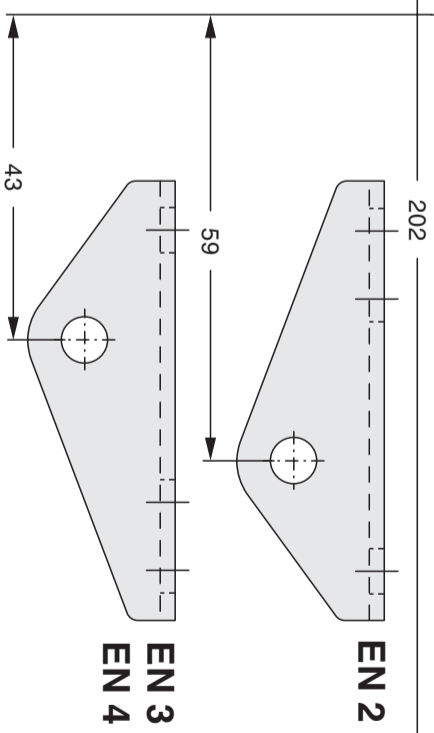
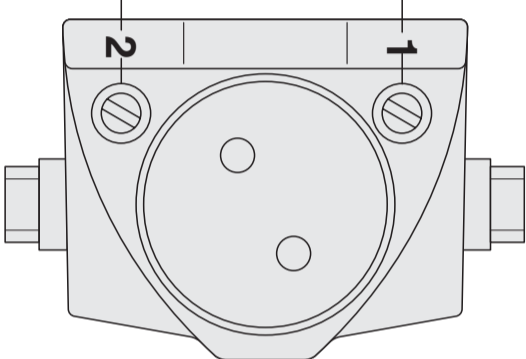
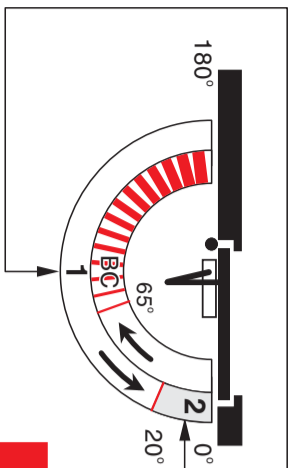
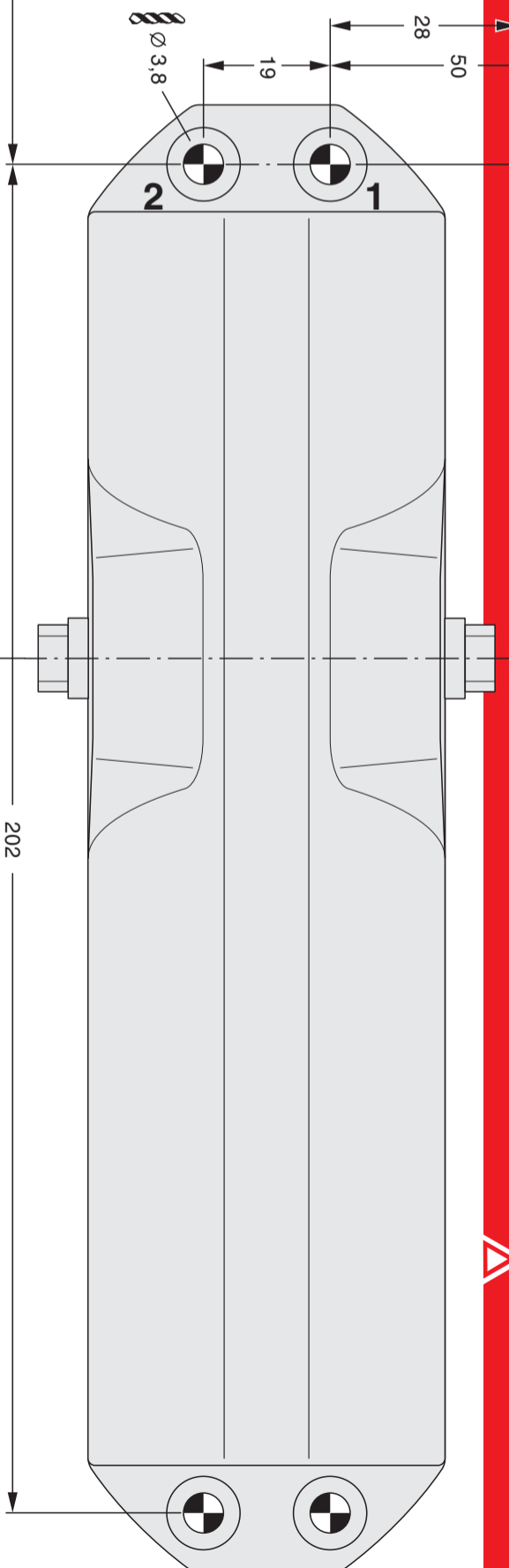
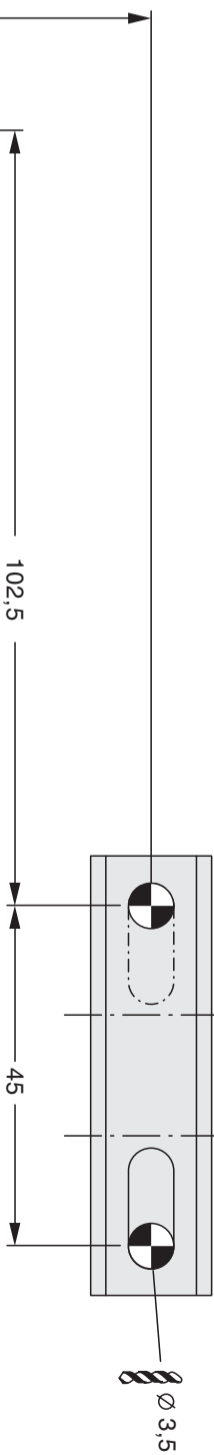
	A (mm)
EN2	850
EN3	950
EN4	1100



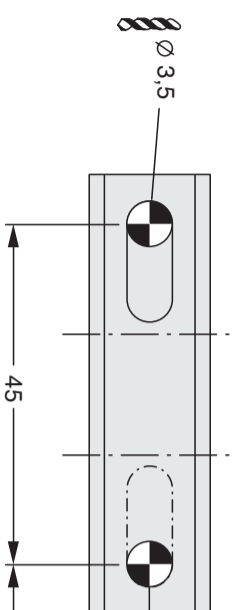
EN 2/3



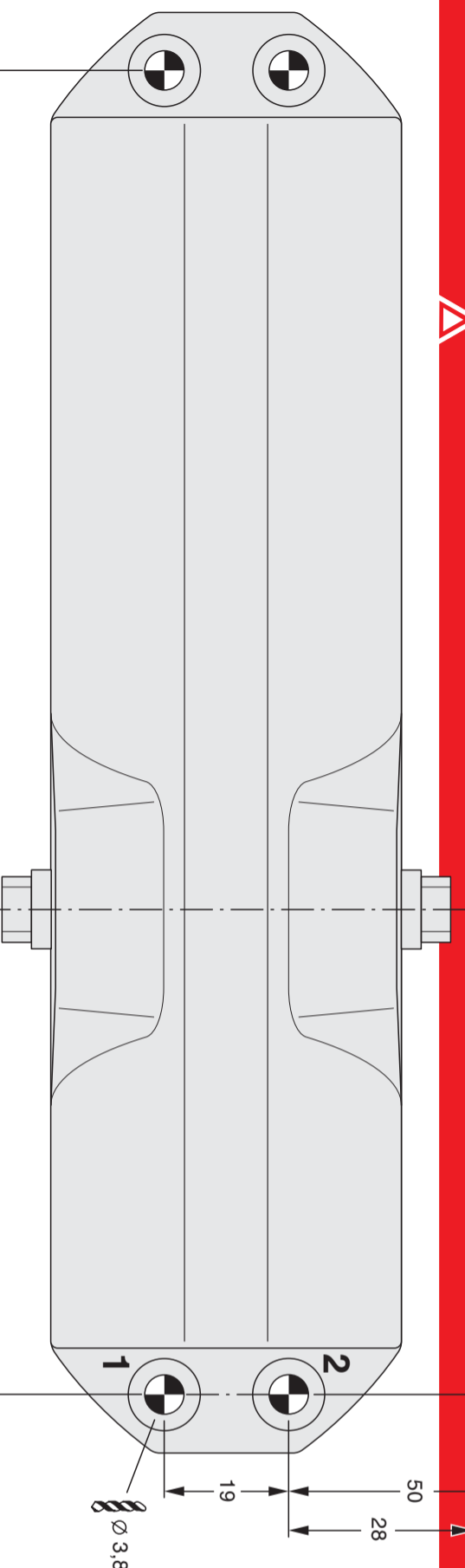
96 (EN2/3, max. 180°)
176 (EN4, max. 105°)



DORMA TS 68 BC

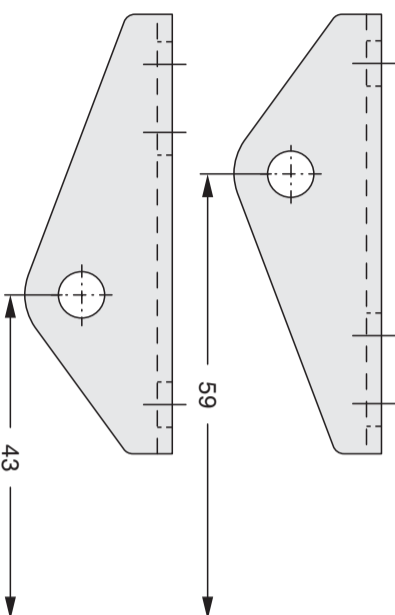


102,5

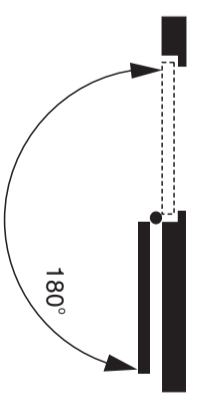


EN 2

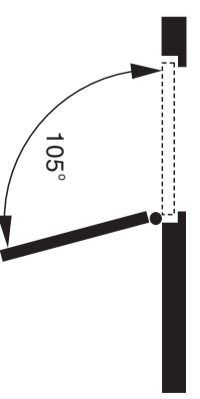
EN 3
EN 4



96 (EN2/3, max. 180°)
176 (EN4, max. 105°)

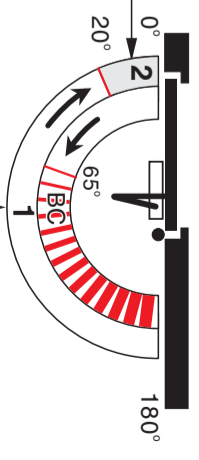
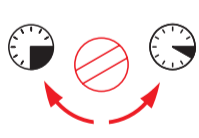
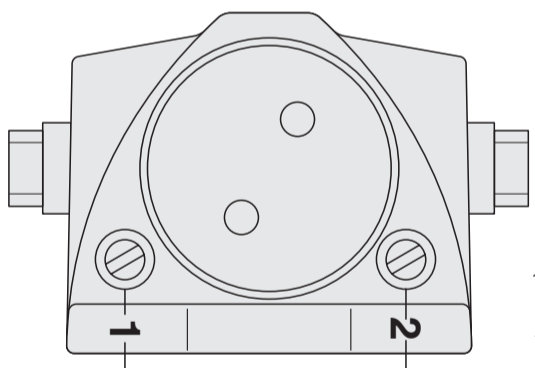
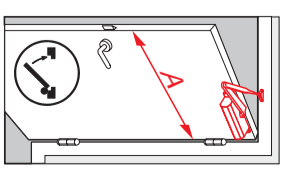


EN 2/3



EN 4

	A (mm)
EN 2	850
EN 3	950
EN 4	1100



20°

0°

65°

180°

DORMA TS 68 BC

